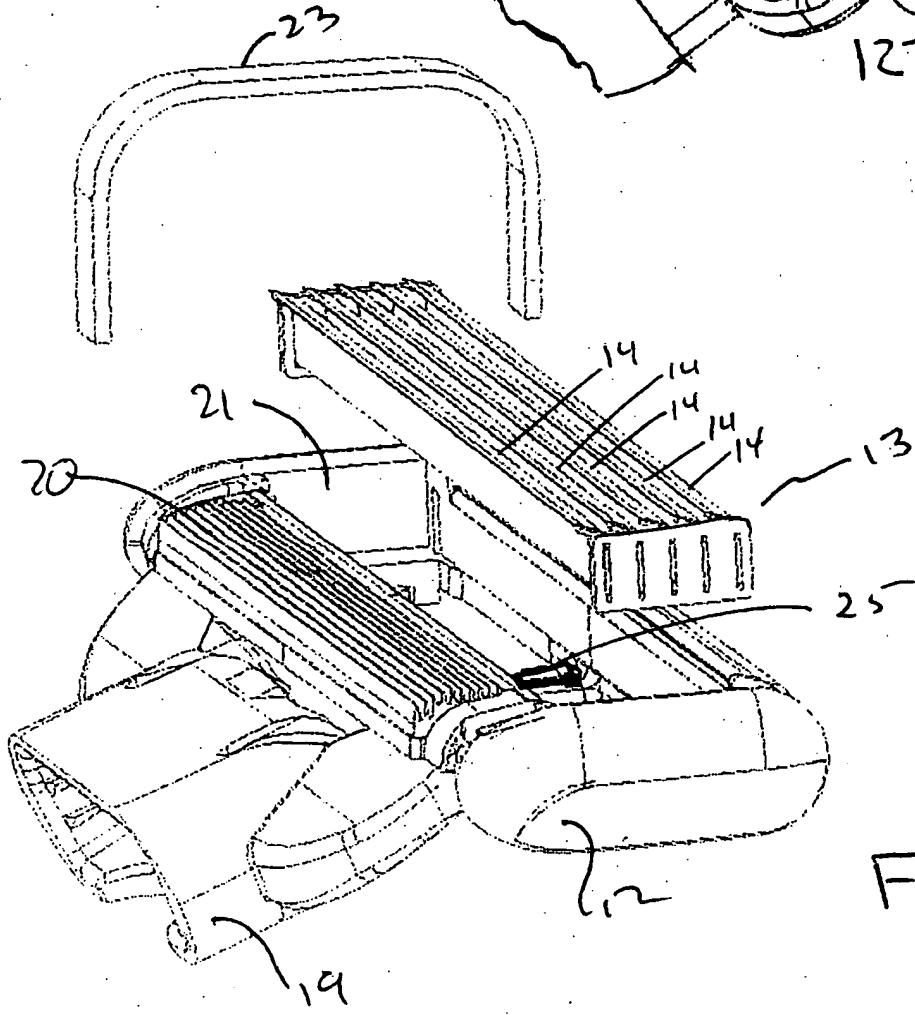
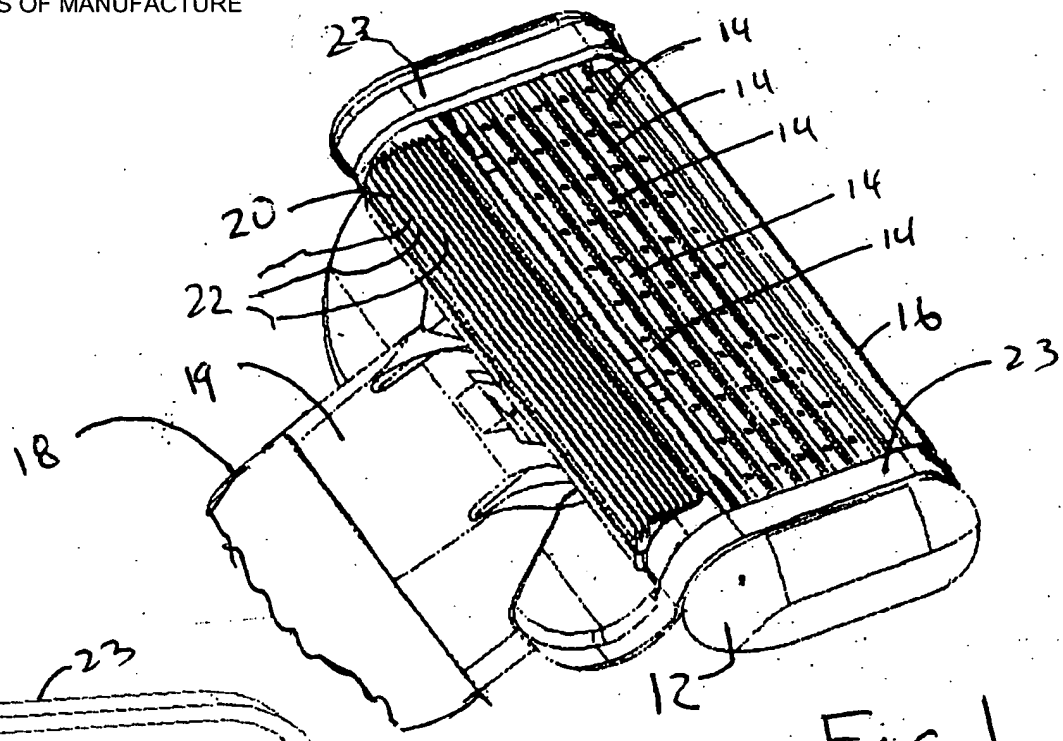


Applicant(s): Gregory D. Aviza
SHAVING RAZORS, AND BLADE SUBASSEMBLIES
THEREFOR AND METHODS OF MANUFACTURE



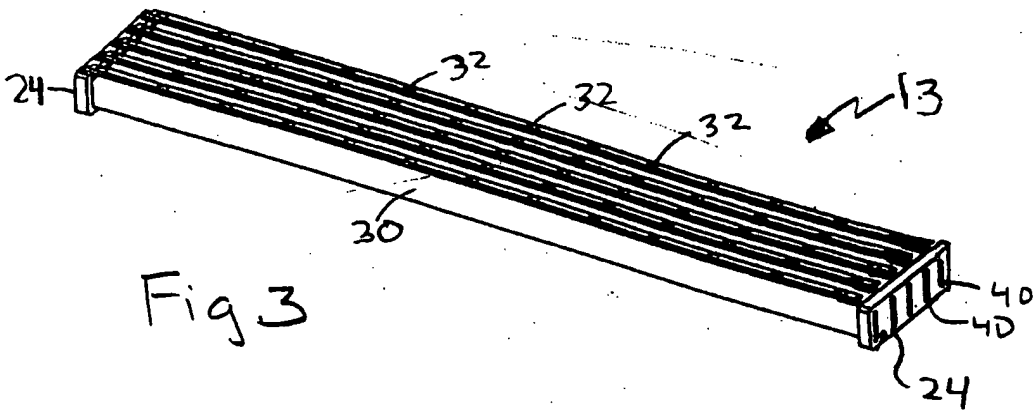


Fig 3

Applicant(s): Gregory D. Aviza
SHAVING RAZORS, AND BLADE SUBASSEMBLIES
THEREFOR AND METHODS OF MANUFACTURE

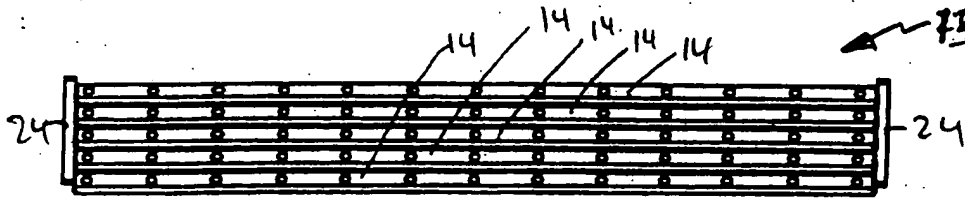


Fig. 4

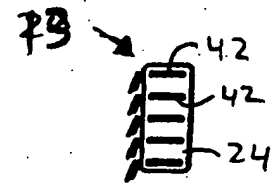


Fig. 6

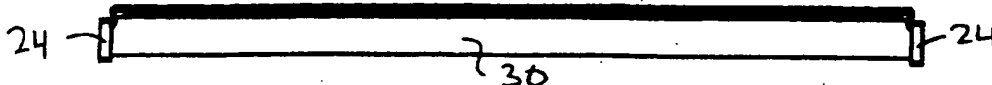


Fig. 5

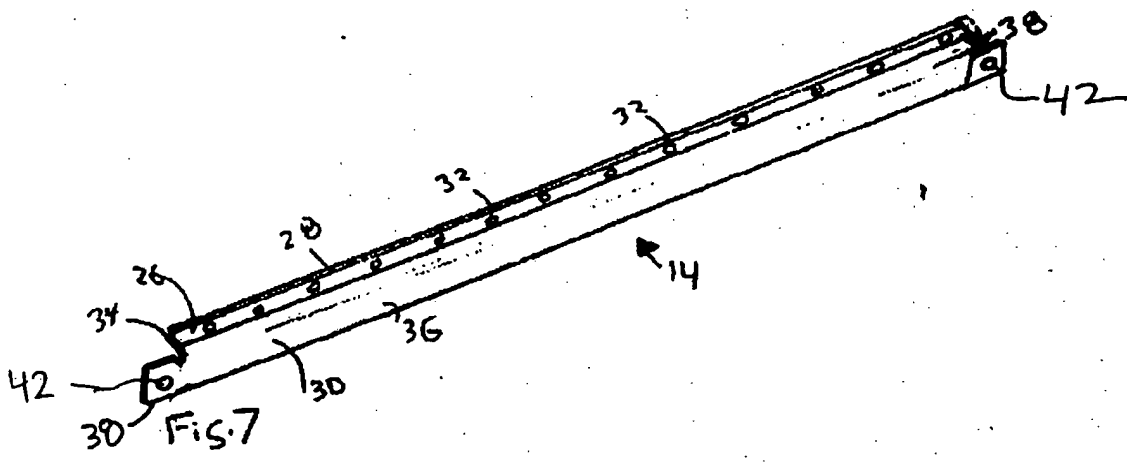


Fig. 7

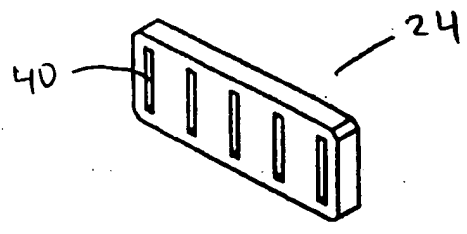


Fig. 8

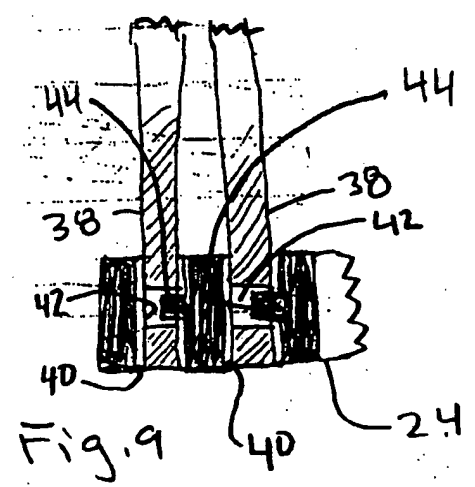


Fig. 9

Applicant(s): Gregory D. Aviza

SHAVING RAZORS, AND BLADE SUBASSEMBLIES
THEREFOR AND METHODS OF MANUFACTURE

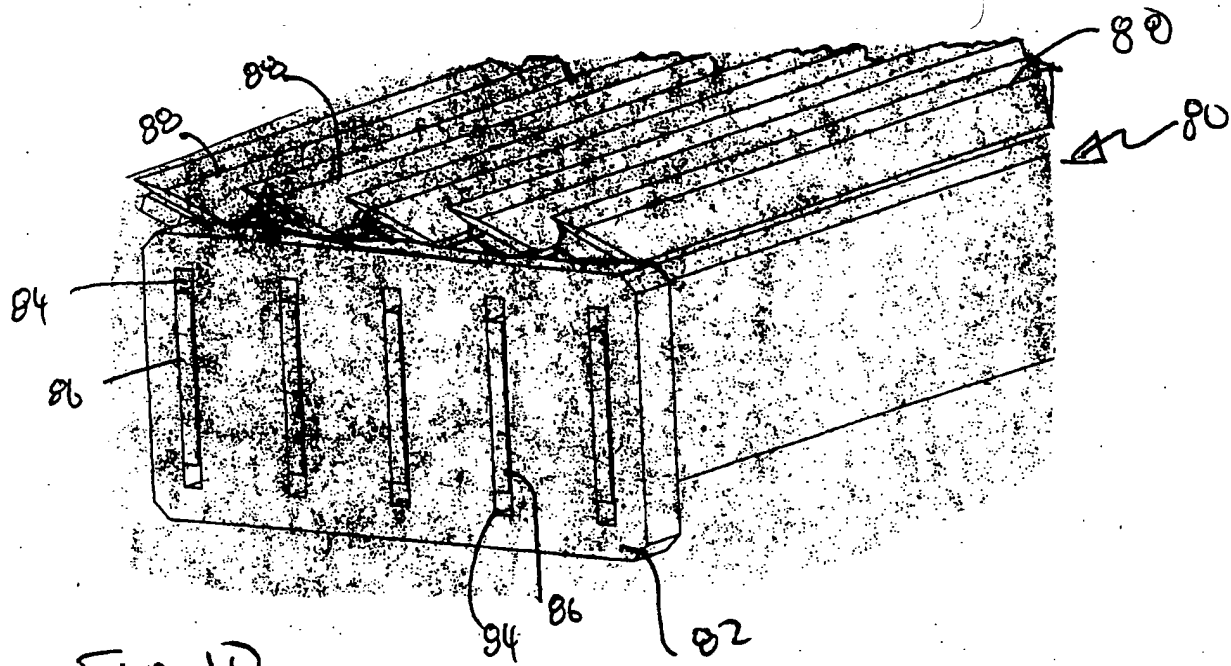


Fig. 10

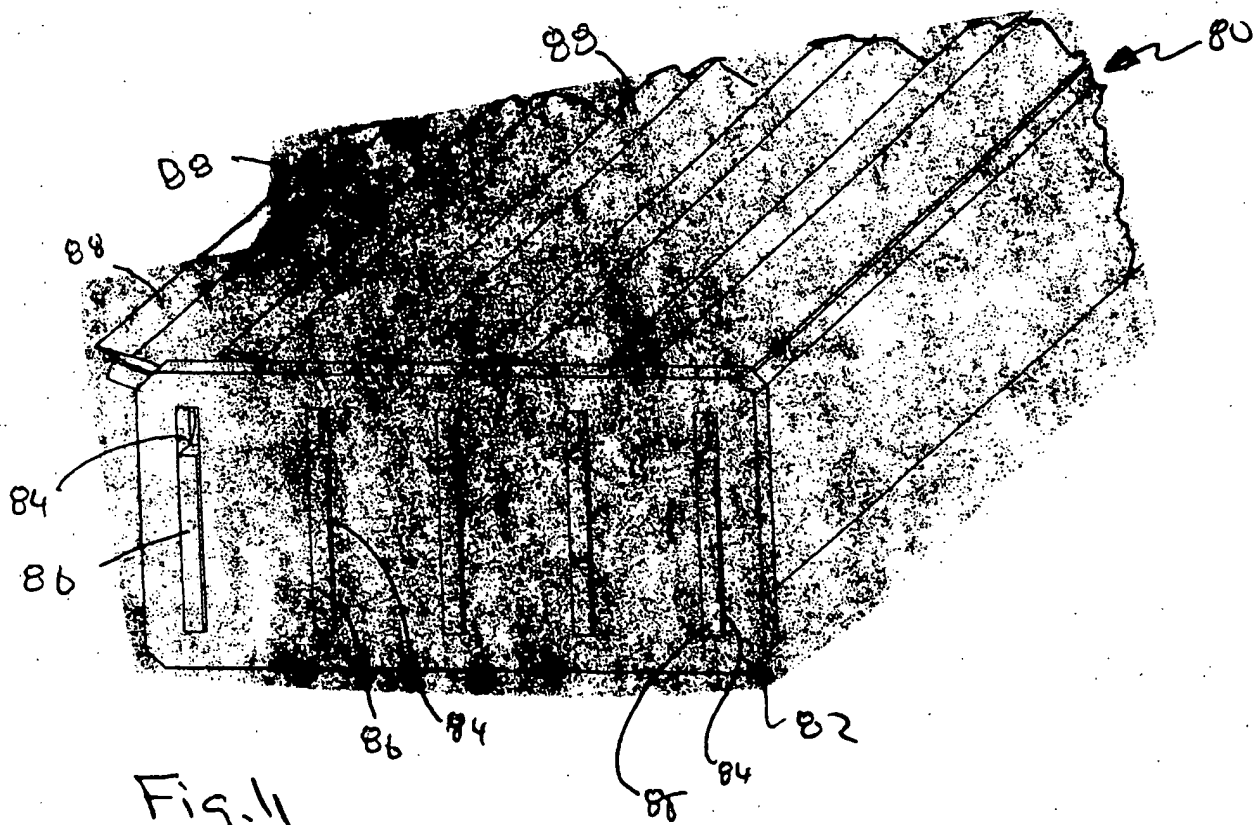


Fig. 11

Applicant(s): Gregory D. Aviza
SHAVING RAZORS, AND BLADE SUBASSEMBLIES
THEREFOR AND METHODS OF MANUFACTURE

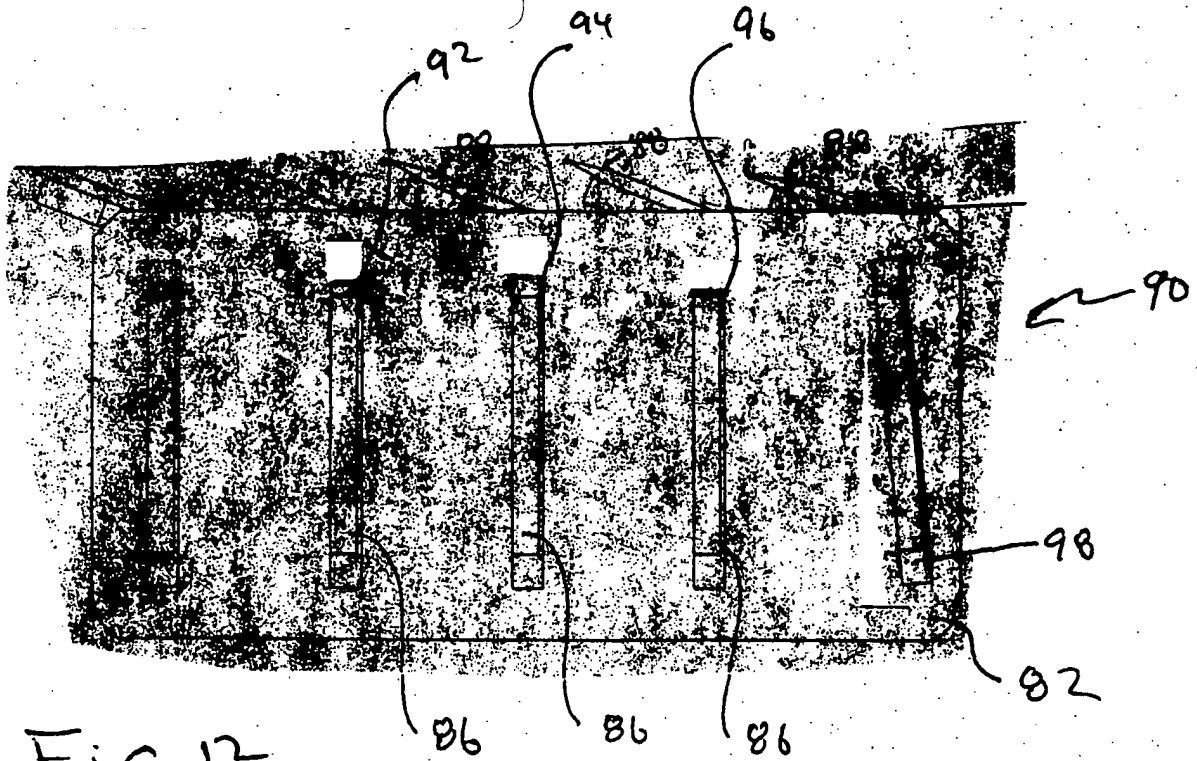


Fig. 12

Applicant(s): Gregory D. Aviza
SHAVING RAZORS, AND BLADE SUBASSEMBLIES
THEREFOR AND METHODS OF MANUFACTURE

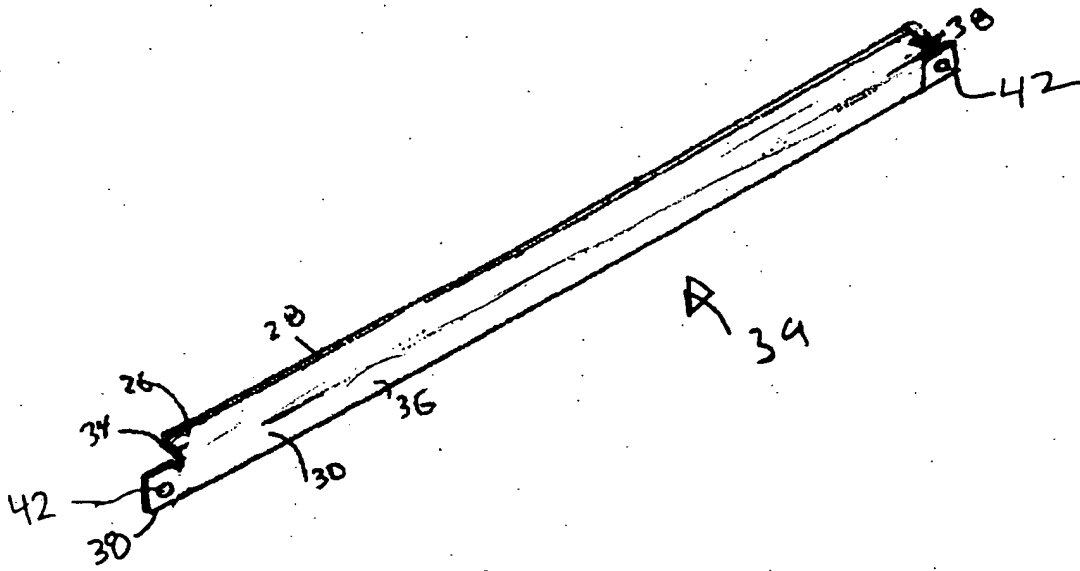


Fig. 13

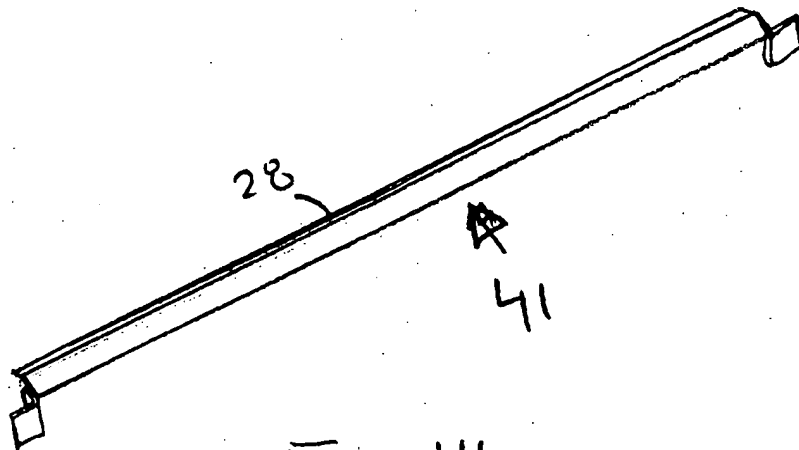


Fig. 14

